

PARTY ROOM PACKAGES

FAQS



- The party room holds 20-50 people
- Room rental is for a 3-hour period
- There is a \$250 deposit, which will be taken out of your final bill on the day of the event. If you choose to cancel your event, the deposit will be returned as long as it is 72 hours before
- 18% gratuity will be added for your server
- Water and soft drinks are included for each package
- Tablecloths are offered at \$5/table
- Additional food items can be added to each level at an additional price per person
- With the help of the General Manager and Chef, we develop a food and drink package that perfectly fits your party!

BASIC \$35/person

Does not include tax and tip

SALAD

House Salad
Caesar Salad

PASTA

Your choice of 1 of the following:

Penne Vodka

Penne in pink sauce with sauteed shallots and pancetta

Rigatoni Bolognese

Rigatoni with homemade meat sauce and ricotta cheese

Fusilli Pomodoro

Fusilli with crushed Italian tomatoes, garlic, pecorino romano & basil

Penne Pesto

Penne in a pesto sauce topped with shaved parmesan

PIZZA

Your choice of 5 large pizzas

PREMIUM \$45/person

Does not include tax and tip

CHARCUTERIE BOARD

Select Italian meats and cheeses

SALAD

Your choice of 2 of the following:

House Salad

mixed greens, cucumber, tomato, red wine vinaigrette

Caesar Salad

romaine hearts, Caesar dressing, shaved parmesan cheese, croutons

Arugula Salad

arugula, oven dried tomatoes, parmigiano reggiano, white balsamic vinaigrette

Seasonal Salad

Please refer to your party planner

PASTA

Your choice of 1 pasta (please refer to the basic package)

CHICKEN

Your choice of 1 of the following:

Parmesan

Breaded chicken with marinara sauce and melted mozzarella

Francese

Battered chicken in a lemon, butter, and white wine sauce

Piccatta

Chicken breast in a butter and lemon sauce with capers

Marsala

Pan-fried chicken breast in a reduced wine sauce with mushrooms

PIZZA

Your choice of 5 large pizzas

DELUXE \$65/person

Does not include tax and tip

You will receive the same choices as the premium package, with the addition of:

HORS D'OEUVRES

Your selection of (3) passed hors d'oeuvres

ADDITIONAL APPS

Your selection of (1) stationary platter OR (1) tray of hot appetizers

ADDITIONAL ENTREE

Your selection of seasonal fish OR beef

ALA CARTE

Selection of hors d'oeuvres and platters Included in the Deluxe package and can be added to any of the other package options at the price listed below. If you don't see something you would like, let us know! We can make it happen!

HORS D'OEUVRES

PAELLA BITES \$4/person
STUFFED ARTICHOKE HEARTS \$3/person
TRUFFLE MAC & CHEESE TART \$3/person
FRENCH ONION SOUP BITES \$4/person
PIGS IN A BLANKET \$3/person
PRETZEL BITES \$3/person

BRIE AND RASPBERRY PHYLLO BITES ... \$4/person
SHORT RIB WITH BACON \$5/person
KOBE STYLE BEEF SLIDER \$5/person
MUSHROOM GOUDA TART \$4/person
POTATO CROQUETTE \$3/person
MAC N CHEESE BITE WITH BACON AND JALAPENO
\$3/person

STATIONARY PLATTERS

WHIPPED BURRATA \$4/person
MEAT & CHEESE SELECTION \$5/person
CRUDITE \$4/person
PITA & HUMMUS \$4/person
GARLIC BREAD TRAY \$5/person
SHRIMP COCKTAIL \$5/ person

SOUP

PASTA FAGIOLI \$4/person
CHICKEN SOUP \$4/person
ITALIAN WEDDING \$4/person

ADDITIONAL TRAYS

MEATBALLS \$10/person
CHICKEN TENDERS \$6/person
WINGS \$8/person
MAC N CHEESE \$6/person
EGGPLANT PARM \$8/person
GRILLED CHICKEN \$8/person
TUSCAN VEGGIES \$6/person
WOOD FIRED SALMON \$15/person
CHOICE OF CHICKEN DISH \$10/ person

ALCOHOL PACKAGES

\$50 for your own personal bartender



On Consumption

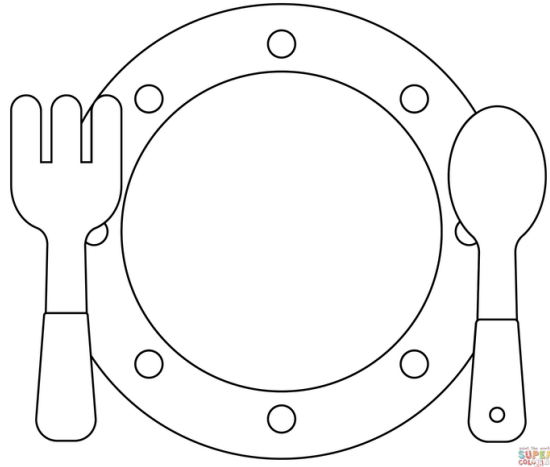
Your selection of 3 bottled beers & 3 wines, which will be charged based on the consumption during the party

Open Bar \$18/person

Unlimited house wines and a mix of bottled beer

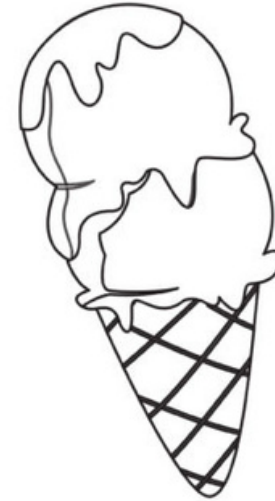
Full Bar \$35/person

Unlimited house wines, a mix of bottled beer, selection of our house vodka, tequila, whiskey, and gin cocktails



KIDS

Kids 12 and under will be charged at
\$15/person



DESSERT

Dessert options may be added to any
package. Please discuss with the manager
to see what desserts are offered.

You are able to bring in outside cake or
desserts.

Coffee and tea during dessert can be
provided for \$2/person